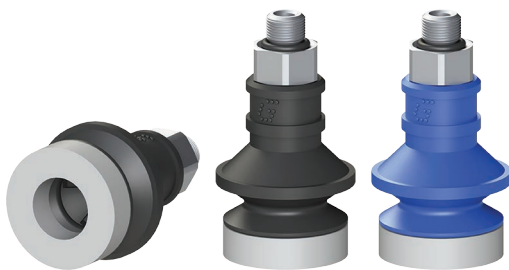
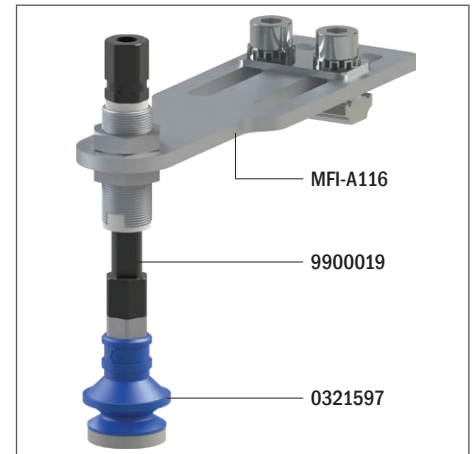


## VG.B16 bellows suction cups in EPDM-HNBR with silicone foam ring

- Ideal to handle uneven and porous surfaces
- High adaptability on rough wood panels, corrugated sheet metal and non-slip sheet metal
- Ring in mark-free silicone foam

Application example

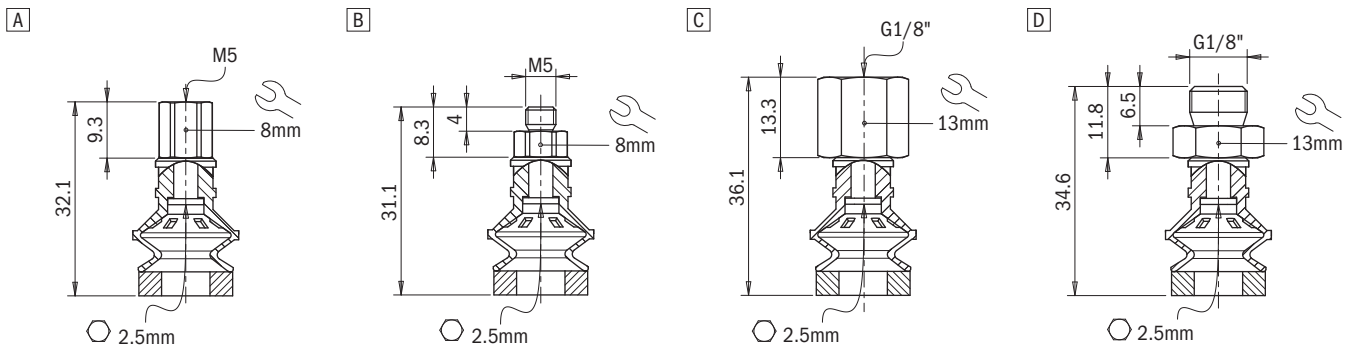


### Technical features

Material	Colour	Hardness	Temperature range
EPDM	Black	50 Shore	-40 ÷ +100 °C
HNBR	Blue	60 Shore	-25 ÷ +150 °C

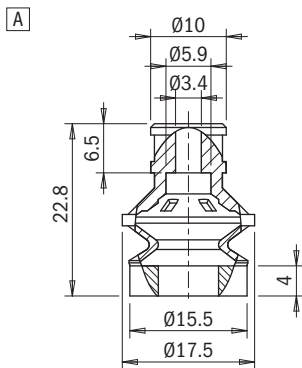
### Identification codes

Drawing	Alphanumeric code	Suction cups with fitting	Order code
A	VG.B16E.50.M5F.E8.SFO	VG.B16 suction cup, EPDM, 50 Shore, M5 female, 8 mm hex with silicone foam ring	0321590
B	VG.B16E.50.M5M.E8.SFO	VG.B16 suction cup, EPDM, 50 Shore, M5 male, 8 mm hex with silicone foam ring	0321592
C	VG.B16E.50.G18F.E13.SFO	VG.B16 suction cup, EPDM, 50 Shore, G1/8" female, 13 mm hex with silicone foam ring	0321593
D	VG.B16E.50.G18M.E13.SFO	VG.B16 suction cup, EPDM, 50 Shore, G1/8" male, 13 mm hex with silicone foam ring	0321594
A	VG.B16H.60.M5F.E8.SFO	VG.B16 suction cup, HNBR, 60 Shore, M5 female, 8 mm hex with silicone foam ring	0321595
B	VG.B16H.60.M5M.E8.SFO	VG.B16 suction cup, HNBR, 60 Shore, M5 male, 8 mm hex with silicone foam ring	0321597
C	VG.B16H.60.G18F.E13.SFO	VG.B16 suction cup, HNBR, 60 Shore, G1/8" female, 13 mm hex with silicone foam ring	0321598
D	VG.B16H.60.G18M.E13.SFO	VG.B16 suction cup, HNBR, 60 Shore, G1/8" male, 13 mm hex with silicone foam ring	0321599



**Identification codes**

Drawing	Alphanumeric code	Suction cups	Order code
A	VG.B16E.50.SFO	VG.B16 suction cup in EPDM, 50 Shore, with silicone foam ring	0321591
A	VG.B16H.60.SFO	VG.B16 suction cup in HNBR, 60 Shore, with silicone foam ring	0321596



**Identification codes**

Drawing	Alphanumeric code	Fittings	Order code
A	FT.M5F.E8	M5 female fitting, 8 mm hex	2321408
B	FT.M5M.E8	M5 male fitting, 8 mm hex	2321410
C	FT.G18F.E13	G1/8" female fitting, 13 mm hex	2321412
D	FT.G18M.E13	G1/8" male fitting, 13 mm hex	2321414

