

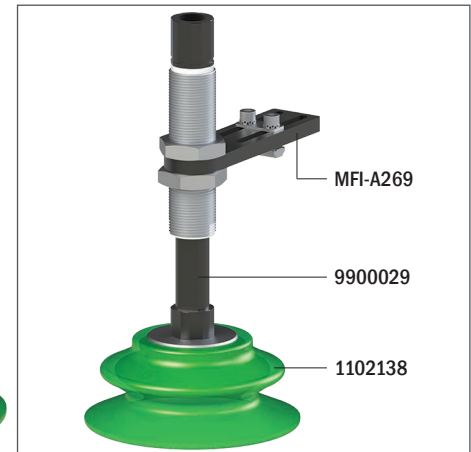
VG.BP110 suction cups in polyurethane with bellows

- Suitable for minimal level compensations, with high stability
- Excellent gripping performance on corrugated or porous surfaces, or non-sealed surfaces, such as cardboard, plastic items and composite materials with uneven surface
- Also suitable for applications with lifting forces parallel to the surface
- Features an exceptional elastic memory
- Available with 50 Shore hardness, green colour
- Available with 30/70 Shore hardness. The two-colour suction cup is robust and flexible at the same time

NEW



Application example



Technical data

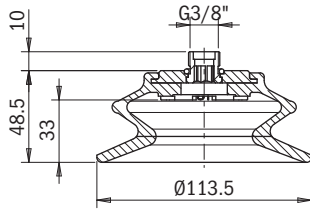
Material	Lifting force [N] perpendicular to the surface, at various vacuum levels			Lifting force [N] parallel to the surface, at various vacuum levels			Volume [cm ³]	Min curve radius [mm]	Max vertical movement [mm]	Suction cup weight [g]
	-20 kPa	-60 kPa	-90 kPa	-20 kPa	-60 kPa	-90 kPa				
PU30/70	178	464	602	170	351	431	123	80	23.5	172
PU50	201	440	500	190	379	458	123	90	23.5	172

Technical features

Material	Colour	Hardness	Temperature range
Polyurethane PU, 30/70 Shore	Yellow / Green	30/70 Shore	+10 + +45 °C
Polyurethane PU, 50 Shore	Green	50 Shore	+10 + +45 °C

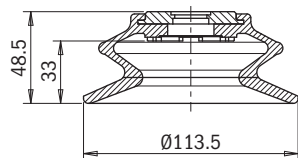
Identification codes			
Drawing	Alphanumeric code	Suction cups with fitting	Order code
A	VG.BP110.30/70.G38M	VG.BP110 suction cup, polyurethane, 30/70 Shore, G3/8" male	1101138
A	VG.BP110.50.G38M	VG.BP110 suction cup, polyurethane, 50 Shore, G3/8" male	1102138

A



Identification codes			
Drawing	Alphanumeric code	Suction cups	Order code
B	VG.BP110.30/70	VG.BP110 suction cup, polyurethane, 30/70 Shore	1101100
B	VG.BP110.50	VG.BP110 suction cup, polyurethane, 50 Shore	1101200

A



Identification codes			
Drawing	Alphanumeric code	Fittings	Order code
A	FT.G38M.199	G3/8" male fitting	1900039

A

