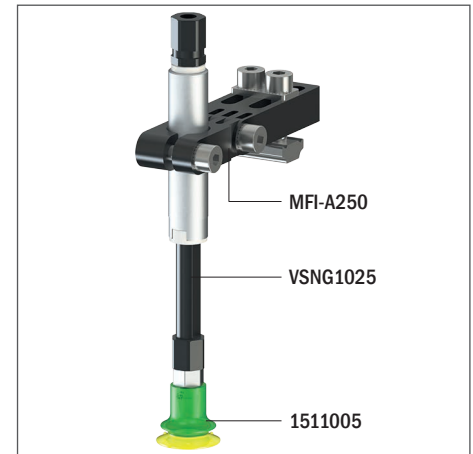


VG.BP15 suction cups in polyurethane with bellows

- Suitable for minimal level compensations, with high stability
- Excellent gripping performance on corrugated or porous surfaces, or non-sealed surfaces, such as cardboard, plastic items and composite materials with uneven surface
- Also suitable for applications with lifting forces parallel to the surface
- Features an exceptional elastic memory
- Available with 50 Shore hardness, green colour
- Available with 30/70 Shore hardness. The two-colour suction cup is robust and flexible at the same time

Application example



Technical data

Material	Lifting force [N] perpendicular to the surface, at various vacuum levels			Lifting force [N] parallel to the surface, at various vacuum levels			Volume [cm ³]	Min curve radius [mm]	Max vertical movement [mm]	Suction cup weight [g]
	-20 kPa	-60 kPa	-90 kPa	-20 kPa	-60 kPa	-90 kPa				
PU30/70	3.9	6.9	9.1	2.5	5.1	9.2	0.4	5.5	3.4	0.8
PU50	3.9	9.1	12.8	2.8	5.3	8.4	0.4	10	3.4	0.8

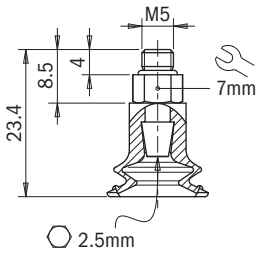
Technical features

Material	Colour	Hardness	Temperature range
Polyurethane PU, 30/70 Shore	Yellow / Green	30/70 Shore	+10 ÷ +45 °C
Polyurethane PU, 50 Shore	Green	50 Shore	+10 ÷ +45 °C

Identification codes

Drawing	Alphanumeric code	Suction cups with fitting	Order code
A	VG.BP15.30/70.M5M	VG.BP15 suction cup, polyurethane, 30/70 Shore, M5 male	1511005
A	VG.BP15.50.M5M	VG.BP15 suction cup, polyurethane, 50 Shore, M5 male	1521005

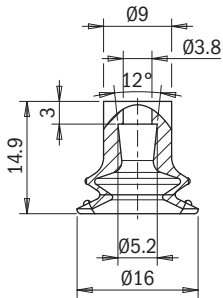
A



Identification codes

Drawing	Alphanumeric code	Suction cups	Order code
B	VG.BP15.30/70	VG.BP15 suction cup, polyurethane, 30/70 Shore	1511000
B	VG.BP15.50	VG.BP15 suction cup, polyurethane, 50 Shore	1521000

B



Identification codes

Drawing	Alphanumeric code	Fittings	Order code
A	FT.M5M	M5 male fitting	1600005

A

