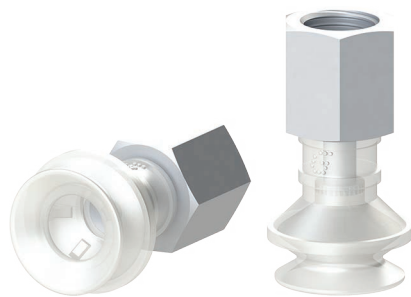
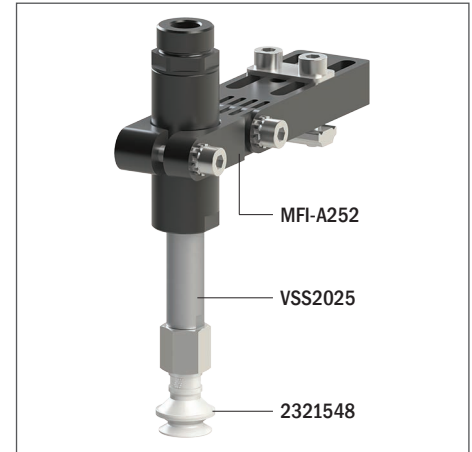


## VG.B16F bellows suction cups in FDA-compliant silicone

- Food-grade silicone compound (FDA-approved)
- Suitable for high working temperatures
- Suitable for objects with flat or slightly curved surfaces
- They enable to compensate for differences in height

Application example



### Technical data

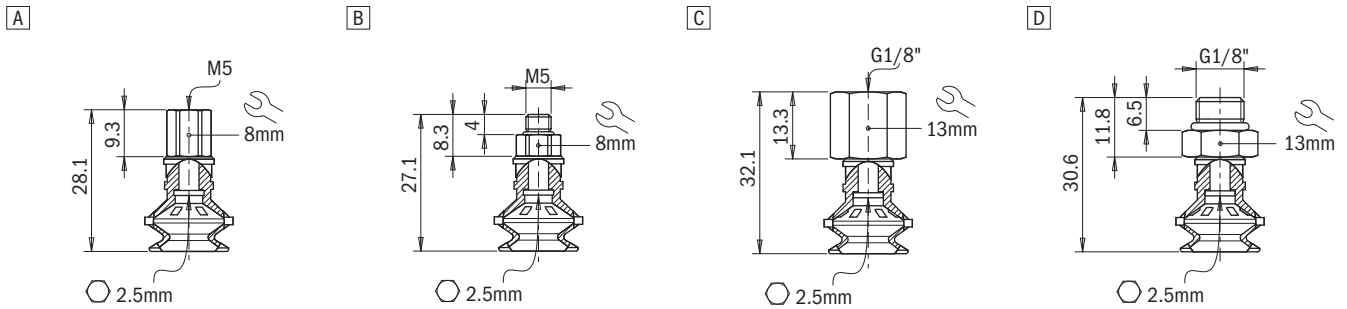
Material	Lifting force [N] perpendicular to the surface, at various vacuum levels			Lifting force [N] parallel to the surface, at various vacuum levels			Volume [cm <sup>3</sup> ]	Min curve radius [mm]	Max vertical movement [mm]	Suction cup weight [g]
	-20 kPa	-60 kPa	-90 kPa	-20 kPa	-60 kPa	-90 kPa				
SIL 50 FDA	3	5.8	8.5	1.71	3.1	3.9	1.1	5	6.5	2.1

### Technical features

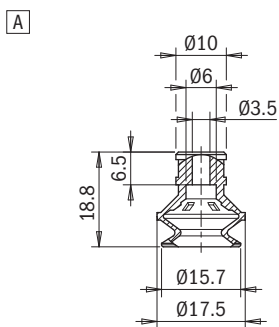
Material	Colour	Hardness	Temperature range
Silicone, FDA SIL	Transparent	50 Shore	-70 ÷ +200 °C

**Identification codes**

Drawing	Alphanumeric code	Suction cups with fitting	Order code
A	VG.B16F.50.M5F.E8	VG.B16 suction cup, FDA-compliant silicone, 50 Shore, M5 female, 8 mm hex	2321545
B	VG.B16F.50.M5M.E8	VG.B16 suction cup, FDA-compliant silicone, 50 Shore, M5 male, 8 mm hex	2321547
C	VG.B16F.50.G18F.E13	VG.B16 suction cup, FDA-compliant silicone, 50 Shore, G1/8" female, 13 mm hex	2321548
D	VG.B16F.50.G18M.E13	VG.B16 suction cup, FDA-compliant silicone, 50 Shore, G1/8" male, 13 mm hex	2321549


**Identification codes**

Drawing	Alphanumeric code	Suction cups	Order code
A	VG.B16F.50	VG.B16 suction cup, FDA-compliant silicone, 50 Shore	2321546


**Identification codes**

Drawing	Alphanumeric code	Fittings	Order code
A	FT.M5F.E8	M5 female fitting, 8 mm hex	2321408
B	FT.M5M.E8	M5 male fitting, 8 mm hex	2321410
C	FT.G18F.E13	G1/8" female fitting, 13 mm hex	2321412
D	FT.G18M.E13	G1/8" male fitting, 13 mm hex	2321414

