

VG.B42F bellows suction cups in FDA-compliant silicone

- Food-grade silicone compound (FDA-approved)
- Suitable for high working temperatures
- Suitable for objects with flat or slightly curved surfaces
- They enable to compensate for differences in height

Application example



Technical data

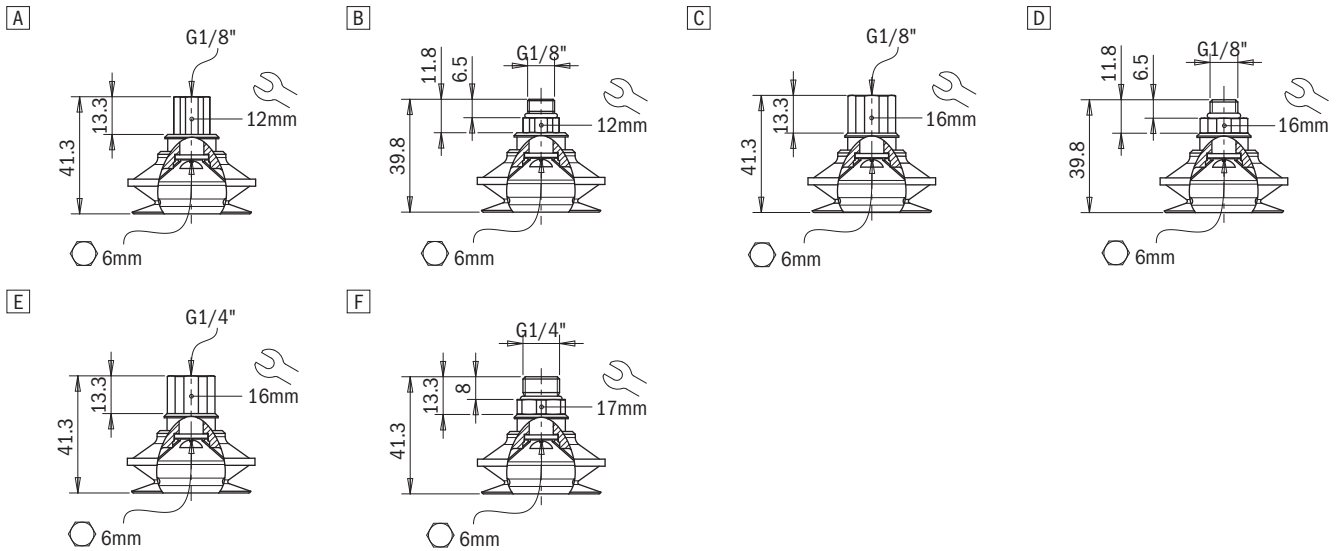
Material	Lifting force [N] perpendicular to the surface, at various vacuum levels			Lifting force [N] parallel to the surface, at various vacuum levels			Volume [cm ³]	Min curve radius [mm]	Max vertical movement [mm]	Suction cup weight [g]
	-20 kPa	-60 kPa	-90 kPa	-20 kPa	-60 kPa	-90 kPa				
SIL 50 FDA	20	46	53	17.2	26.3	30.7	15	20	12	8.8

Technical features

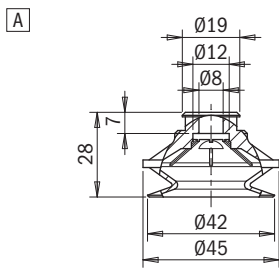
Material	Colour	Hardness	Temperature range
Silicone, FDA SIL	Transparent	50 Shore	-70 ÷ +200 °C

Identification codes

Drawing	Alphanumeric code	Suction cups with fitting	Order code
A	VG.B42F.50.G18F.E12	VG.B42 suction cup, FDA-compliant silicone, 50 Shore, G1/8" female, 12 mm hex	2321562
B	VG.B42F.50.G18M.E12	VG.B42 suction cup, FDA-compliant silicone, 50 Shore, G1/8" male, 12 mm hex	2321564
C	VG.B42F.50.G18F.E16	VG.B42 suction cup, FDA-compliant silicone, 50 Shore, G1/8" female, 16 mm hex	2321565
D	VG.B42F.50.G18M.E16	VG.B42 suction cup, FDA-compliant silicone, 50 Shore, G1/8" male, 16 mm hex	2321566
E	VG.B42F.50.G14F.E16	VG.B42 suction cup, FDA-compliant silicone, 50 Shore, G1/4" female, 16 mm hex	2321567
F	VG.B42F.50.G14M.E17	VG.B42 suction cup, FDA-compliant silicone, 50 Shore, G1/4" male, 17 mm hex	2321568


Identification codes

Drawing	Alphanumeric code	Suction cups	Order code
A	VG.B42F.50	VG.B42 suction cup, FDA-compliant silicone, 50 Shore	2321563


Identification codes

Drawing	Alphanumeric code	Fittings	Order code
A	FT.G18F.E12	G1/8" female fitting, 12 mm hex	2321422
B	FT.G18M.E12	G1/8" male fitting, 12 mm hex	2321424
C	FT.G18F.E16	G1/8" female fitting, 16 mm hex	2321426
D	FT.G18M.E16	G1/8" male fitting, 16 mm hex	2321428
E	FT.G14F.E16	G1/4" female fitting, 16 mm hex	2321430
F	FT.G14M.E17	G1/4" male fitting, 17 mm hex	2321432

