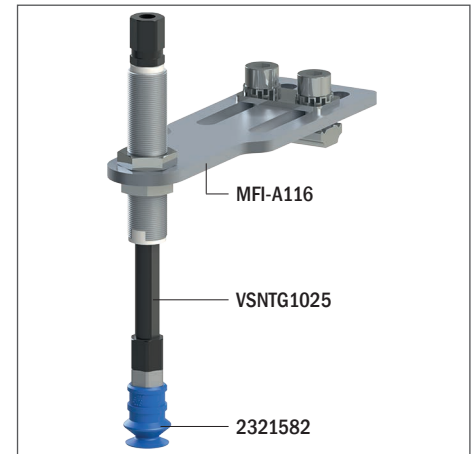


VG.B11 EPDM-HNBR bellows suction cups

- Suitable for handling plastic parts
- Suitable for objects with flat or slightly curved surfaces
- They enable to compensate for differences in height
- The HNBR version enables to work at high temperatures, whereas silicone or other mixtures may release traces of material. Ideal for applications where contamination of the material must be avoided
- The HNBR compound is robust and wear resistant, suitable for the removal of hot plastic parts from the relevant moulds



Application example



Technical data

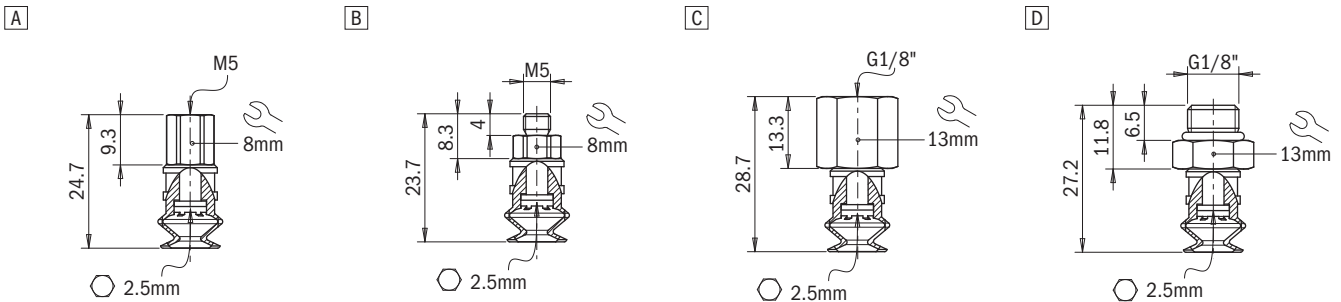
Material	Lifting force [N] perpendicular to the surface, at various vacuum levels			Lifting force [N] parallel to the surface, at various vacuum levels			Volume [cm ³]	Min curve radius [mm]	Max vertical movement [mm]	Suction cup weight [g]
	-20 kPa	-60 kPa	-90 kPa	-20 kPa	-60 kPa	-90 kPa				
EPDM 50	1.3	3.4	4.6	1.7	2.42	2.81	0.48	4	4.5	0.7
HNBR 60	1.3	3.4	4.6	1.7	2.42	2.81	0.48	4	4.5	0.7

Technical features

Material	Colour	Hardness	Temperature range
EPDM	Black	50 Shore	-40 ÷ +100 °C
HNBR	Blue	60 Shore	-25 ÷ +150 °C

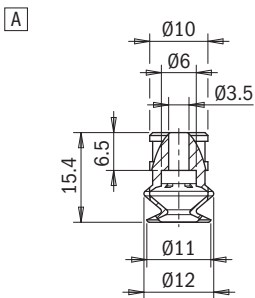
Identification codes

Drawing	Alphanumeric code	Suction cups with fitting	Order code
A	VG.B11E.50.M5F.E8	VG.B11 suction cup, EPDM, 50 Shore, M5 female, 8 mm hex	2321580
B	VG.B11E.50.M5M.E8	VG.B11 suction cup, EPDM, 50 Shore, M5 male, 8 mm hex	2321582
C	VG.B11E.50.G18F.E13	VG.B11 suction cup, EPDM, 50 Shore, G1/8" female, 13 mm hex	2321583
D	VG.B11E.50.G18M.E13	VG.B11 suction cup, EPDM, 50 Shore, G1/8" male, 13 mm hex	2321584
A	VG.B11H.60.M5F.E8	VG.B11 suction cup, HNBR, 60 Shore, M5 female, 8 mm hex	2321585
B	VG.B11H.60.M5M.E8	VG.B11 suction cup, HNBR, 60 Shore, M5 male, 8 mm hex	2321587
C	VG.B11H.60.G18F.E13	VG.B11 suction cup, HNBR, 60 Shore, G1/8" female, 13 mm hex	2321588
D	VG.B11H.60.G18M.E13	VG.B11 suction cup, HNBR, 60 Shore, G1/8" male, 13 mm hex	2321589



Identification codes

Drawing	Alphanumeric code	Suction cups	Order code
A	VG.B11E.50	VG.B11 suction cup, EPDM, 50 Shore	2321581
A	VG.B11H.60	VG.B11 suction cup, HNBR, 60 Shore	2321586



Identification codes

Drawing	Alphanumeric code	Fittings	Order code
A	FT.M5F.E8	M5 female fitting, 8 mm hex	2321408
B	FT.M5M.E8	M5 male fitting, 8 mm hex	2321410
C	FT.G18F.E13	G1/8" female fitting, 13 mm hex	2321412
D	FT.G18M.E13	G1/8" male fitting, 13 mm hex	2321414

