

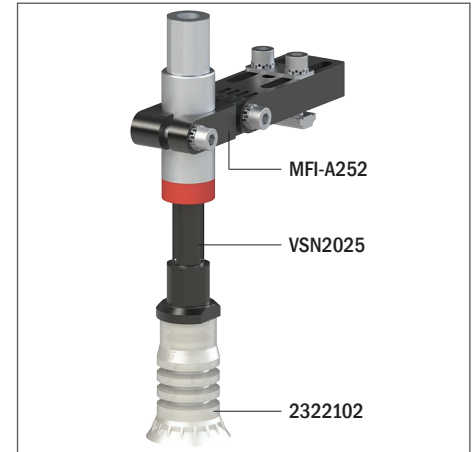
VG.LPG30F multi-bellows suction cups in FDA-compliant silicone

- Suitable for handling bags, pouches and flexible packages for solids and liquids
- Version with 3.5 bellows
- Suction cups in FDA-compliant silicone
- Reinforced bellows for higher grip stability
- The lip of the suction cup has been designed to maximise the grip and allow perfect adhesion even on wrinkles without damaging the grip surfaces

NEW



Application example



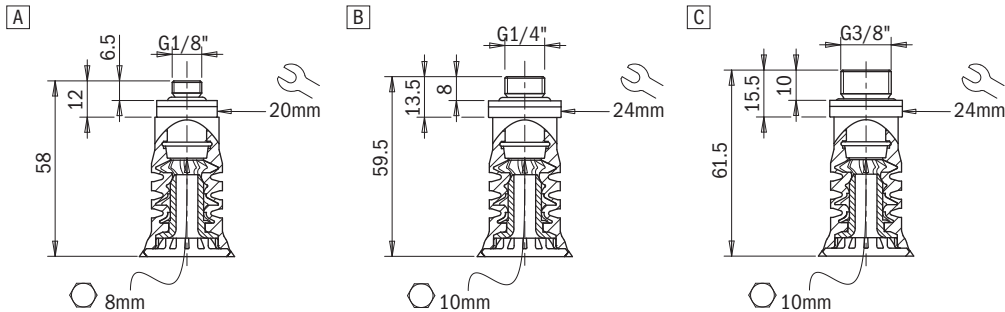
Technical data

Material	Lifting force [N] perpendicular to the surface, at various vacuum levels			Lifting force [N] parallel to the surface, at various vacuum levels			Volume [cm ³]	Min curve radius [mm]	Max vertical movement [mm]	Suction cup weight [g]
	-20 kPa	-50 kPa	-60 kPa	-20 kPa	-50 kPa	-60 kPa				
SIL 40 FDA	9.0	16.0	17.5	–	–	–	10.5	15	9	10.7

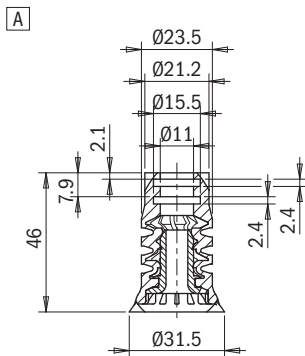
Technical features

Material	Colour	Hardness	Temperature range
Silicone, FDA SIL	Transparent	40 Shore	-70 ÷ +200 °C

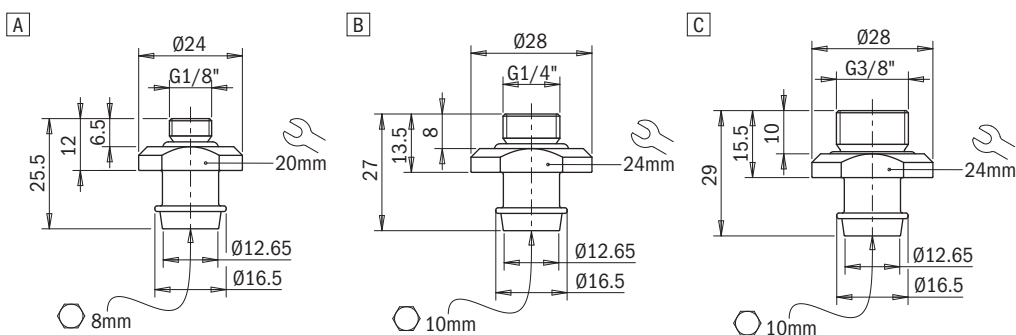
Identification codes			
Drawing	Alphanumeric code	Suction cups with fitting	Order code
A	VG.LPG30F.40.G18M	VG.LPG30 suction cup, FDA-compliant silicone, 40 Shore, with internal insert, G1/8" male	2322102
B	VG.LPG30F.40.G14M	VG.LPG30 suction cup, FDA-compliant silicone, 40 Shore, with internal insert, G1/4" male	2322104
C	VG.LPG30F.40.G38M	VG.LPG30 suction cup, FDA-compliant silicone, 40 Shore, with internal insert, G3/8" male	2322105



Identification codes			
Drawing	Alphanumeric code	Suction cups	Order code
A	VG.LPG30F.40	VG.LPG30 suction cup, FDA-compliant silicone, 40 Shore, with internal insert	2322103



Identification codes			
Drawing	Alphanumeric code	Fittings	Order code
A	FT.G18M.E8	G1/8" male fitting	1900017
B	FT.G14M.E10	G1/4" male fitting	1900013
C	FT.G38M.E10	G3/8" male fitting	1900037



Identification codes		
Alphanumeric code	Insert	Order code
AC.LPG30	Spare insert for flow packs, size 30 mm in PA12 GB material	2322147