

EJ-BA-MEDIUMX2

- Ideal for decentralized applications
- High ratio between suction flow rate and compressed air consumption
- Can be integrated near the gripping point, lightweight
- G3/8" vacuum port
- Auxiliary vacuum port, for possible blow-off or monitoring of the G1/8" system
- Available with two- and three-stage EJ-MEDIUM cartridge (EJ-LP, EJ-HF, EJ-HV)

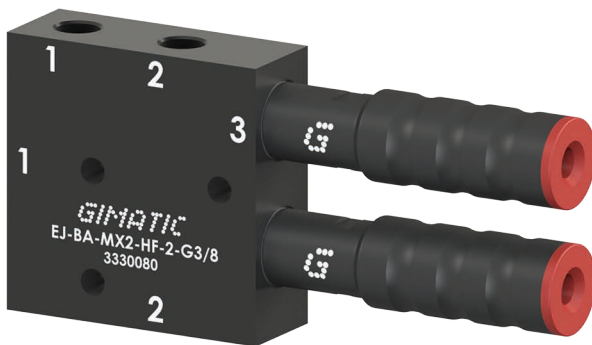
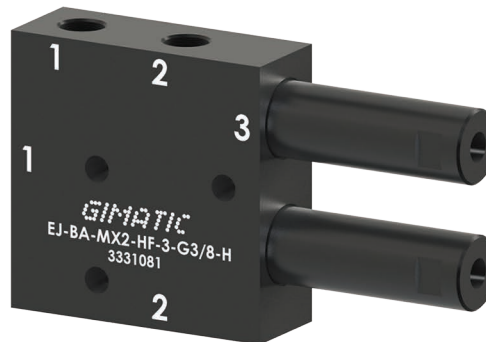
Typical applications

- Handling of sealed items such as parts in glass and metal (EJ-HV)
- Packaging (cartoners, case packing machines) (EJ-HF, EJ-LP)
- Plastic (moulding)
- Automotive

NEW



NEW



Application example



| Technical features | |
|--------------------|----------------------------|
| Max feed pressure | 0.7 MPa |
| Weight | 151 ± 158 g |
| Material | POM, PA, Al, Nitrile (NBR) |
| Noise level | < 70 dB |

| Suction flow rate | | | | | | | | | | | | | |
|---------------------|------------------------|-----------------------------|--|------|------|------|------|------|------|------|------|------|---------------------|
| Model | Feed pressure [MPa] | Air consumption [l/s] | Suction flow rate [l/s] at different vacuum levels [kPa] | | | | | | | | | | Max vacuum [kPa] |
| | | | 0 | -10 | -20 | -30 | -40 | -50 | -60 | -70 | -80 | -90 | |
| EJ-BA-MX2-LP-2-G3/8 | 0.4 | 1.1 | 1.34 | 1.22 | 1.06 | 0.76 | 0.46 | 0.24 | 0.18 | 0.12 | 0.04 | – | -89 |
| EJ-BA-MX2-LP-3-G3/8 | 0.4 | 1.1 | 3 | 1.42 | 1.06 | 0.76 | 0.46 | 0.24 | 0.18 | 0.12 | 0.04 | – | -89 |
| EJ-BA-MX2-HF-2-G3/8 | 0.6 | 0.86 | 1.56 | 1.36 | 1.04 | 0.62 | 0.42 | 0.30 | 0.20 | 0.16 | – | – | -73 |
| EJ-BA-MX2-HF-3-G3/8 | 0.6 | 0.86 | 2.70 | 1.50 | 1.10 | 0.62 | 0.42 | 0.30 | 0.20 | 0.16 | – | – | -73 |
| EJ-BA-MX2-HV-2-G3/8 | 0.5 | 0.94 | 1.52 | 1.26 | 1.08 | 0.64 | 0.34 | 0.30 | 0.22 | 0.14 | 0.01 | 0.02 | -94 |
| EJ-BA-MX2-HV-3-G3/8 | 0.5 | 0.94 | 2.94 | 1.56 | 1.08 | 0.64 | 0.34 | 0.30 | 0.22 | 0.14 | 0.01 | 0.02 | -94 |

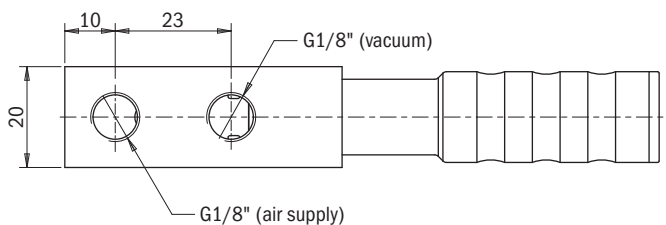
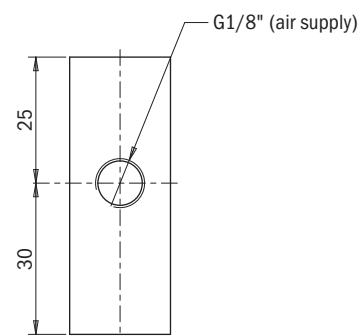
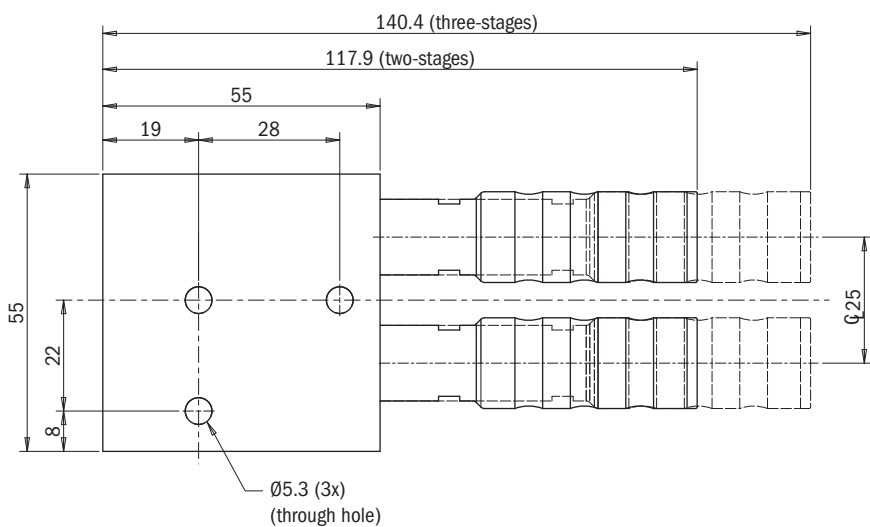
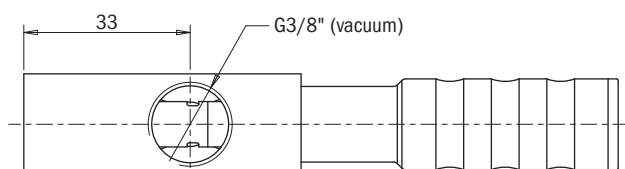
For technical specifications, regarding the suction flow rate and the air consumption at different pressures, please refer to the technical data sheets of the EJ-MEDIUM cartridges in the two- and three-stage versions

| Evacuation time | | | | | | | | | | | | | |
|---------------------|------------------------|-----------------------------|--|-------|-------|------|------|------|------|------|------|---|---------------------|
| Model | Feed pressure [MPa] | Air consumption [l/s] | Evacuation time [s/l] to reach different vacuum levels [kPa] | | | | | | | | | | Max vacuum [kPa] |
| | | | -10 | -20 | -30 | -40 | -50 | -60 | -70 | -80 | -90 | | |
| EJ-BA-MX2-LP-2-G3/8 | 0.4 | 1.1 | 0.085 | 0.165 | 0.275 | 0.45 | 0.75 | 1.2 | 1.85 | 3.55 | – | – | -89 |
| EJ-BA-MX2-LP-3-G3/8 | 0.4 | 1.1 | 0.04 | 0.115 | 0.22 | 0.38 | 0.70 | 1.2 | 1.85 | 3.55 | – | – | -89 |
| EJ-BA-MX2-HF-2-G3/8 | 0.6 | 0.86 | 0.065 | 0.15 | 0.27 | 0.45 | 0.75 | 1.15 | 1.6 | – | – | – | -73 |
| EJ-BA-MX2-HF-3-G3/8 | 0.6 | 0.86 | 0.05 | 0.125 | 0.24 | 0.40 | 0.65 | 1.15 | 1.6 | – | – | – | -73 |
| EJ-BA-MX2-HV-2-G3/8 | 0.5 | 0.94 | 0.07 | 0.16 | 0.275 | 0.50 | 0.88 | 1.2 | 1.75 | 2.55 | 4.35 | – | -94 |
| EJ-BA-MX2-HV-3-G3/8 | 0.5 | 0.94 | 0.08 | 0.24 | 0.47 | 0.88 | 0.80 | 1.2 | 1.75 | 2.55 | 4.35 | – | -94 |

For technical specifications regarding the evacuation time and the consumption at different pressures, please refer to the technical data sheets of the EJ-MEDIUM cartridges, in the two- and three-stage versions

Identification codes

| Alphanumeric code | Description | Order code |
|---------------------|--|------------|
| EJ-BA-MX2-LP-2-G3/8 | EJ-BA-MEDIUMX2-LP-2 vacuum pump with holder and integrated silencer, G3/8" vacuum port | 3330078 |
| EJ-BA-MX2-LP-3-G3/8 | EJ-BA-MEDIUMX2-LP-3 vacuum pump with holder and integrated silencer, G3/8" vacuum port | 3330079 |
| EJ-BA-MX2-HF-2-G3/8 | EJ-BA-MEDIUMX2-HF-2 vacuum pump with holder and integrated silencer, G3/8" vacuum port | 3330080 |
| EJ-BA-MX2-HF-3-G3/8 | EJ-BA-MEDIUMX2-HF-3 vacuum pump with holder and integrated silencer, G3/8" vacuum port | 3330081 |
| EJ-BA-MX2-HV-2-G3/8 | EJ-BA-MEDIUMX2-HV-2 vacuum pump with holder and integrated silencer, G3/8" vacuum port | 3330082 |
| EJ-BA-MX2-HV-3-G3/8 | EJ-BA-MEDIUMX2-HV-3 vacuum pump with holder and integrated silencer, G3/8" vacuum port | 3330083 |



Identification codes

| Alphanumeric code | Description | Order code |
|----------------------------------|--|------------|
| EJ-BA-MX2-LP-2-G3/8-H NEW | EJ-BA-MEDIUMX2-LP-2 vacuum pump with holder, G3/8" vacuum port | 3331078 |
| EJ-BA-MX2-HF-2-G3/8-H NEW | EJ-BA-MEDIUMX2-HF-2 vacuum pump with holder, G3/8" vacuum port | 3331080 |
| EJ-BA-MX2-HV-2-G3/8-H NEW | EJ-BA-MEDIUMX2-HV-2 vacuum pump with holder, G3/8" vacuum port | 3331082 |

3-stage configurations are also available on request

