

EJ-BBT

- Ideal for applications that require high suction flow rate with low vacuum levels
- Anodised aluminium manifold
- Available in 4 diameters (10, 20, 30 and 40 mm)
- No obstruction of internal passages
- Diameter 10 mm with G3/8" threaded vacuum port to enable direct connection with a suction cup or other gripping devices

Typical applications

- Exhaust of welding fumes
- Cooling of hot parts or drying of wet parts
- Transport of waste and residual dust
- Various applications in the food industry, which require the exhaust to be drawn away

Application example



Technical features

Max feed pressure	0.4 MPa
Weight	66 ± 557 g
Material	Al, Nitrile (NBR)

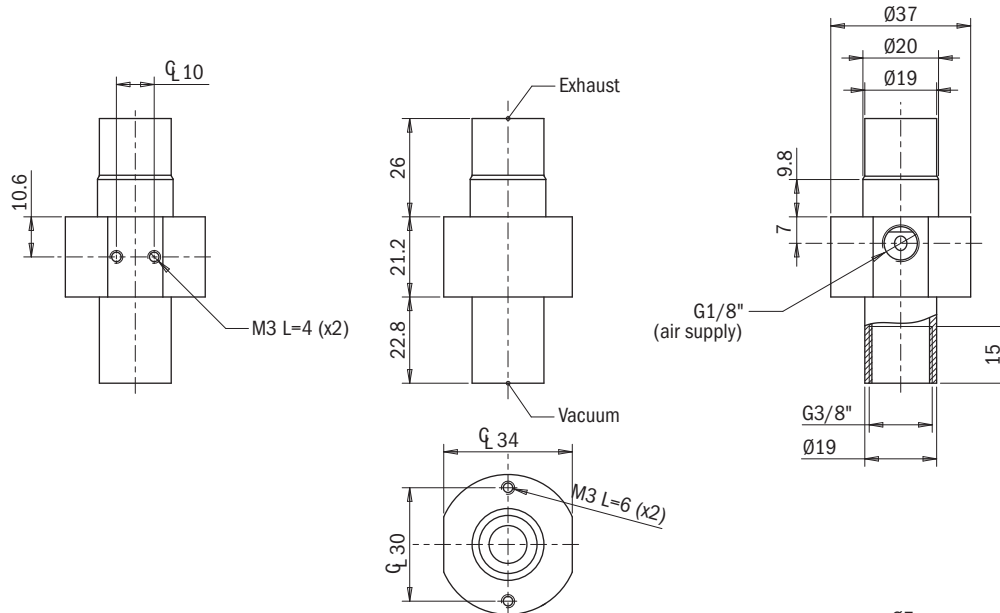
Suction flow rate

Model	Supply pressure [MPa]	Air consumption [l/s]	Suction flow rate [l/s]
EJ-BBT10	0.2 ± 0.4	0.8 ± 1.7	6.7 ± 10.5
EJ-BBT20	0.2 ± 0.4	2.2 ± 3.2	15.5 ± 21.1
EJ-BBT30	0.2 ± 0.4	5.0 ± 8.3	18.6 ± 32.2
EJ-BBT40	0.2 ± 0.4	5.2 ± 8.9	21.0 ± 40.0

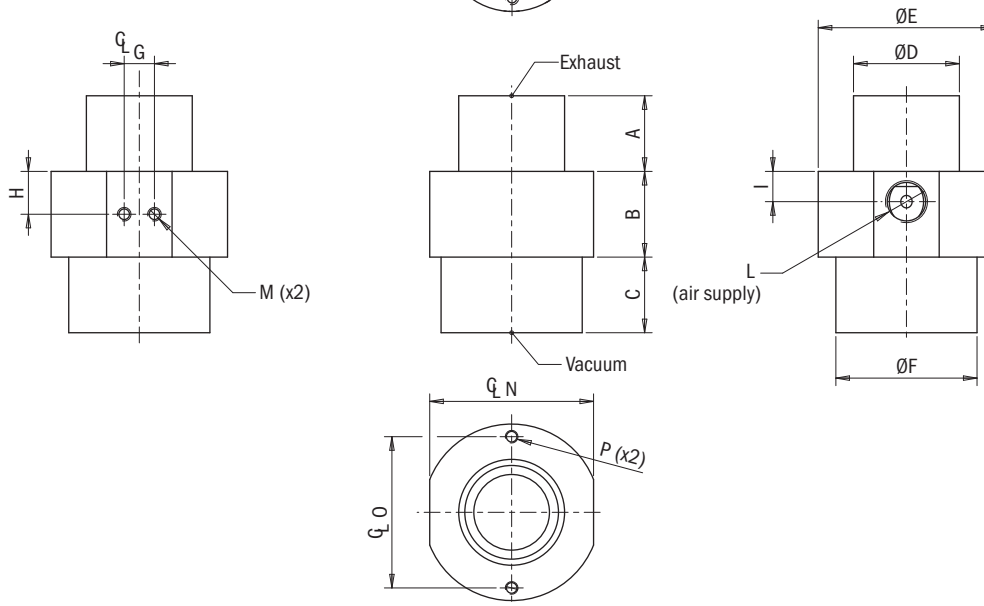
Identification codes

Alphanumeric code	Description	Order code
EJ-BBT10	Booster BBT10 in aluminium	3330131
EJ-BBT20	Booster BBT20 in aluminium	3330132
EJ-BBT30	Booster BBT30 in aluminium	3330133
EJ-BBT40	Booster BBT40 in aluminium	3330134

EJ-BBT10



EJ-BBT20
EJ-BBT30
EJ-BBT40



Technical data

	EJ-BBT20	EJ-BBT30	EJ-BBT40
A [mm]	30	30	30
B [mm]	34	34	34
C [mm]	30	30	30
D [mm]	32	42	52
E [mm]	50	70	90
F [mm]	38	56	74
G [mm]	10	12	18
H [mm]	17	17	17
I [mm]	12	12	12
L	G1/4"	G3/8"	G3/8"
M	M4 L=4 mm	M5 L=6 mm	M6 L=8 mm
N [mm]	47	65	85
O [mm]	42	60	76
P	M4 L=8 mm	M5 L=10 mm	M6 L=12 mm