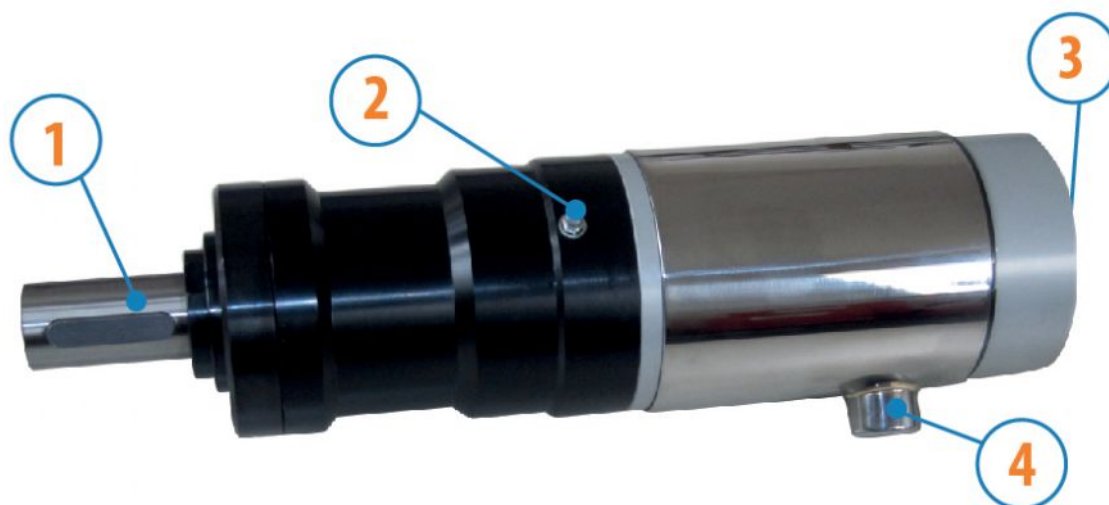


MOTORS WITH POWER OVER 1000 W

NK SERIES - Non reversible

WATT: 3100 / Consumption: 2800 NI/1"

DATA SHEET
NK1900D



1. Cylindrical keyed shaft
2. Grease gun
3. Air inlet
4. Air exhaust

Technical sheet

Right rotation - Model	NK1900D
Right rotation - Code	8711263
Speed rpm - No-load	1850
Speed rpm - at Max Power	1350
Torque Nm - at Max Power	22
Torque Nm - Stall Torque	53

CHARACTERISTICS OF SHAPE

The normal delivery condition:
cylindrical shaft and body as shown in the photo.

Optional:

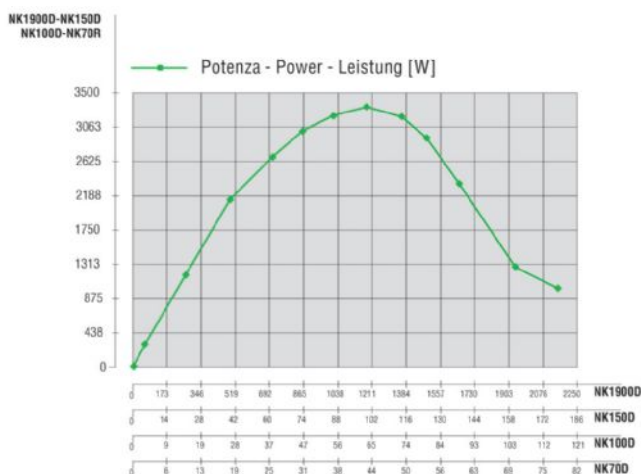
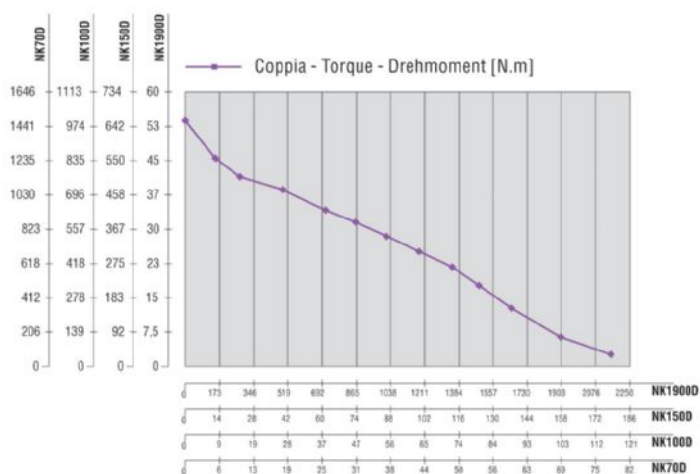
Shaft

- threaded - indication / AF (left rotation excluded - subject to checks for reversible)

- conical - indication / AC

- with collets - indication / AP

PERFORMANCE FIGURES



MOTORS WITH POWER OVER 1000 W

NK SERIES - Non reversible

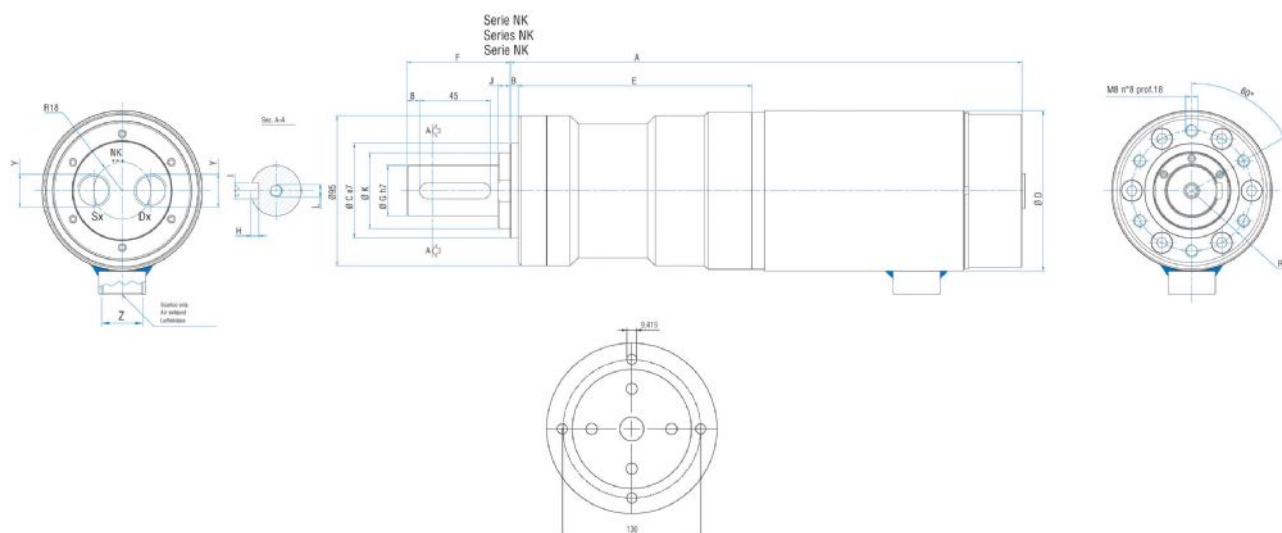
WATT: 3100 / Consumption: 2800 NI/1"

DATA SHEET NK1900D

RADIAL AND AXIAL LOADS

Model	Code	Fr (N)	Fa (N)	Co (N)
NK1900D	8711263	11000	8000	54000

OVERALL DIMENSIONS



Flange disponibili per alcuni modelli.
Flanges available for some models.
Flansche erhältlich für einige Modelle.

Model	Code	A	B C	D	E	F	G	H	I	J	K	L	Y	Z
NK1900D	8711263	331,8	5 60	101,6	148,3	65,5	32	5	10	7,5	48	M8	1/2"	3/4"