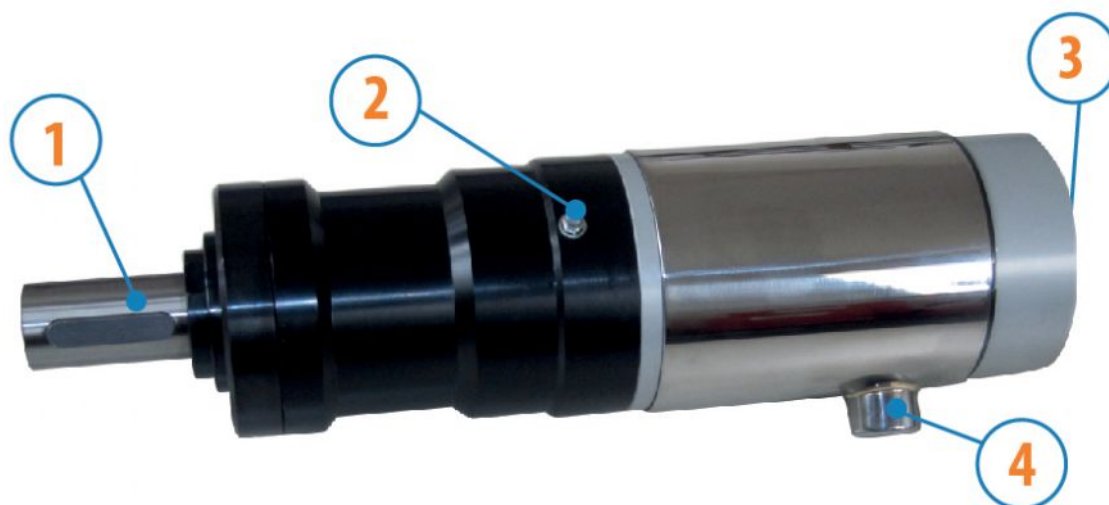


MOTORS WITH POWER OVER 1000 W

NK SERIES - Non reversible

WATT: 3100 / Consumption: 2800 NI/1"

DATA SHEET
NK70S



1. Cylindrical keyed shaft
2. Grease gun
3. Air inlet
4. Air exhaust

Technical sheet

Left rotation - Model	NK70S
Left rotation - Code	8721260
Speed rpm - No-load	65
Speed rpm - at Max Power	50
Torque Nm - at Max Power	600
Torque Nm - Stall Torque	1450

CHARACTERISTICS OF SHAPE

The normal delivery condition:
cylindrical shaft and body as shown in the photo.

Optional:

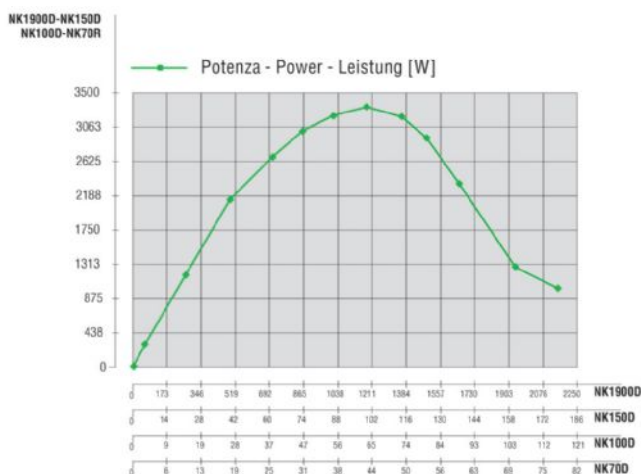
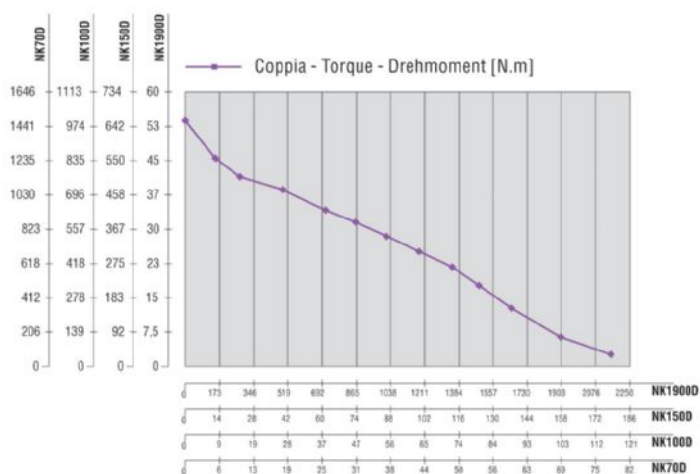
Shaft

- threaded - indication / AF (left rotation excluded - subject to checks for reversible)

- conical - indication / AC

- with collets - indication / AP

PERFORMANCE FIGURES



MOTORS WITH POWER OVER 1000 W

NK SERIES - Non reversible

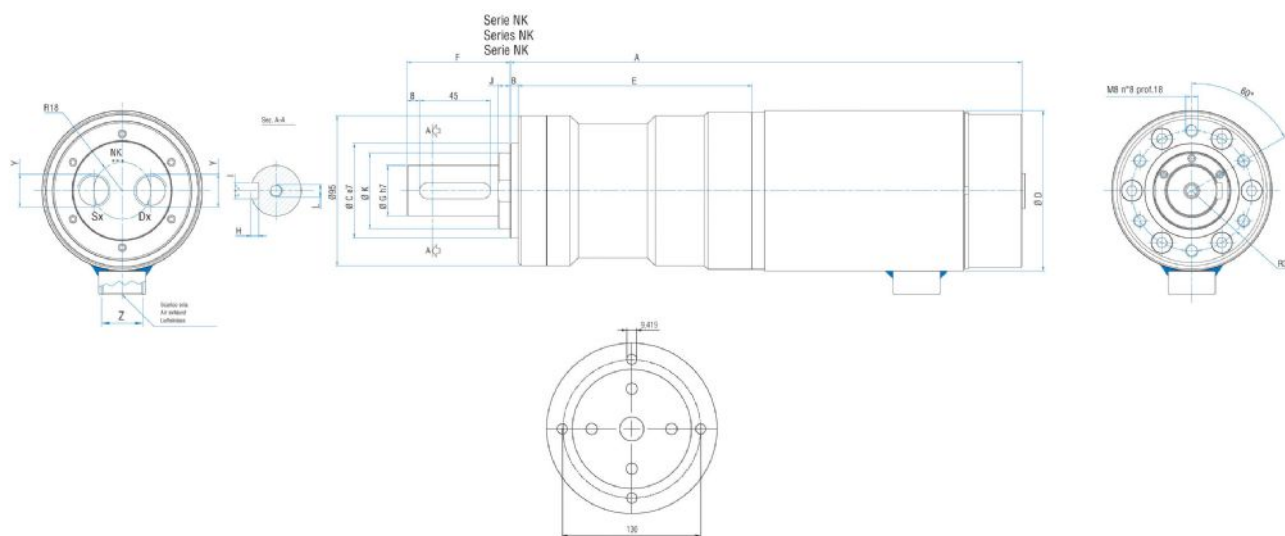
WATT: 3100 / Consumption: 2800 NI/1"

DATA SHEET NK70S

RADIAL AND AXIAL LOADS

Model	Code	Fr (N)	Fa (N)	Co (N)
NK70S	8721260	11000	8000	54000

OVERALL DIMENSIONS



Flange disponibili per alcuni modelli.
 Flanges available for some models.
 Flansche erhältlich für einige Modelle.

Model	Code	A	B	C	D	E	F	G	H	I	J	K	L	Y	Z
NK70S	8721260	331,8	5	60	101,6	148,3	65,5	32	5	10	7,5	48	M8	1/2"	3/4"