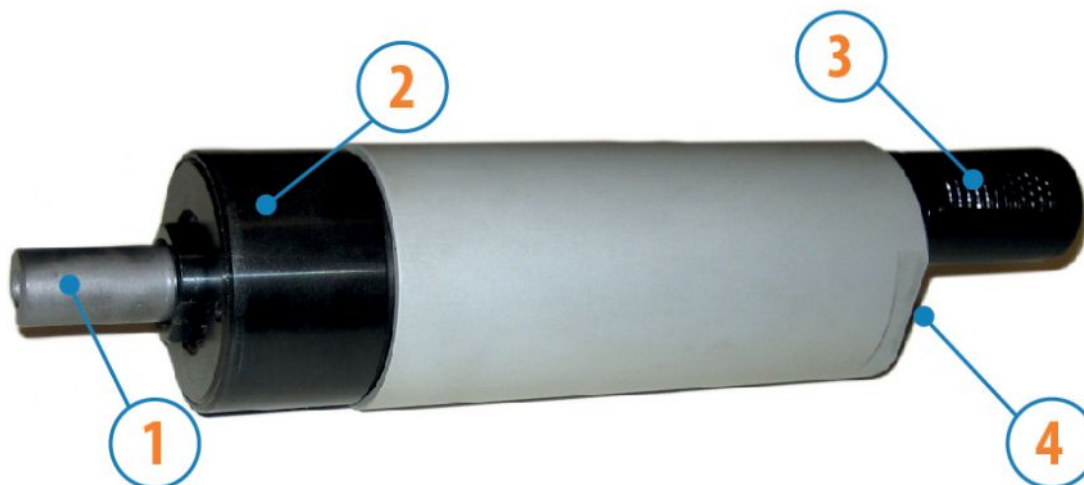


## MOTORS WITH POWER UP TO 850 W

SP SERIES - Non reversible

WATT: 800 / Consumption: 1000 NI/1"

## DATA SHEET SP8D



1. Cylindrical keyed shaft
2. Grip zone
3. Air inlet
4. Air exhaust

### Technical sheet

Right rotation - Model	SP8D
Right rotation - Code	8711254
Speed rpm - No-load	730
Speed rpm - at Max Power	350
Torque Nm - at Max Power	21,0
Torque Nm - Stall Torque	43,0

### CHARACTERISTICS OF SHAPE

The normal delivery condition: cylindrical shaft and body as shown in the photo.

Optional:

Shaft

- threaded - indication /AF (left rotation excluded - subject to checks for reversible)

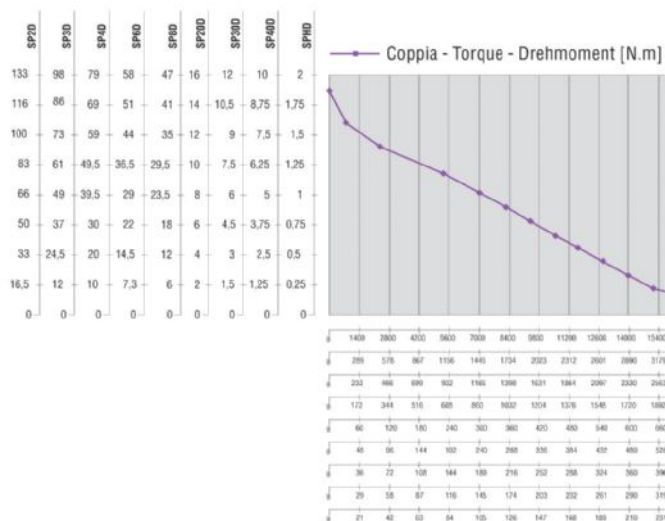
- conical - indication /AC

- with collets - indication /AP

Body

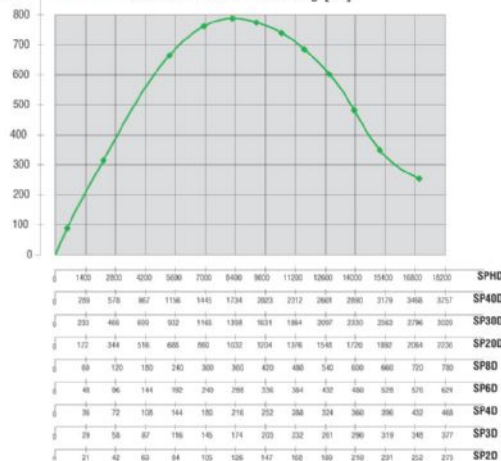
- with diamond flange coupling

### PERFORMANCE FIGURES



SP40-SP400-SP300  
SP200-SP80-SP60  
SP40-SP30-SP20

Potenza - Power - Leistung [W]



## MOTORS WITH POWER UP TO 850 W

SP SERIES - Non reversible

WATT: 800 / Consumption: 1000 NI/1"

DATA SHEET

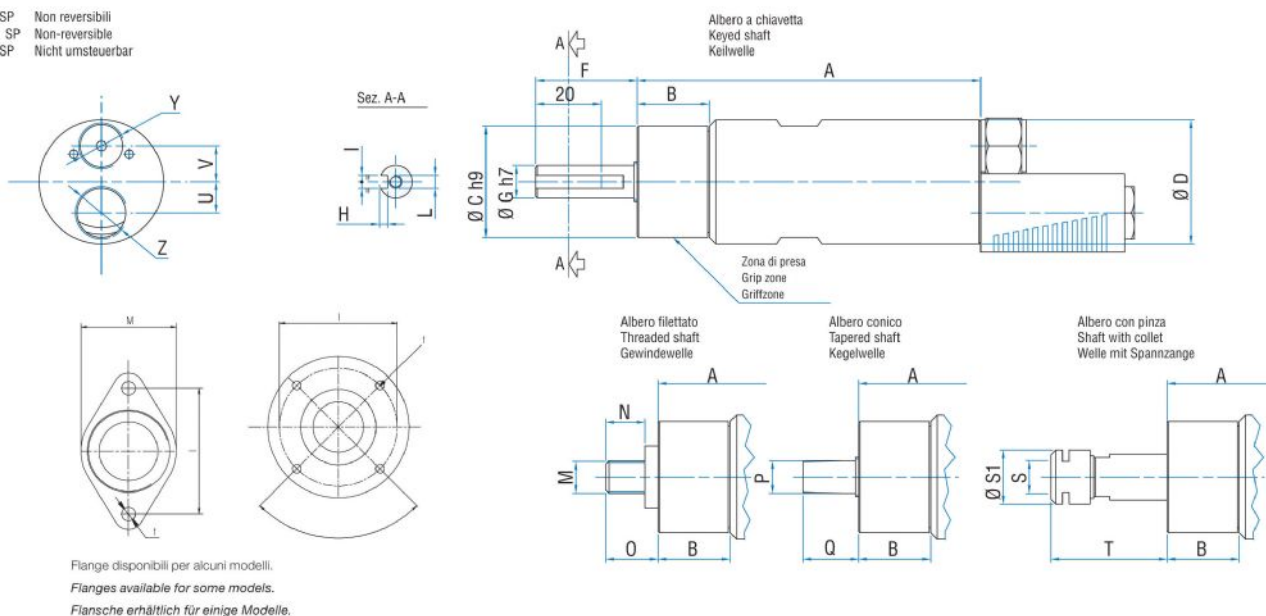
SP8D

### RADIAL AND AXIAL LOADS

Model	Code	Fr (N)	Fa (N)	Co (N)
SP8D	8711254	2050	2350	4750

### OVERALL DIMENSIONS

Serie SP Non reversibili  
Series SP Non-reversible  
Serie SP Nicht umsteuerbar



Model	Code	A	B	C	D	F	G	H	I	L	M	N	O	P	Q	S	S
SP8D	8711254	174	59	48	50	31,5	14	3	5	M6	1/2"x20UNF	16	20,5	B12	26	ER16	2